



## Electric Forklift Trucks Capacity 3500 – 4800 kg E 35, E 40, E 48

SERIES 337

### Safety

High-level engineering, high-grade construction. These fork-lifts are designed and built for tough duty. The operator retains precise control of the truck at all times with three independent braking systems and anti-kick hydraulic power steering.

### Performance

The powerful 12.5 kW tractor motor enables the operator to turn the truck's vast potential into utmost productivity on the job. All mast and auxiliary hydraulics functions are controlled effortlessly with the central control lever.

### Comfort

Man and machine are perfectly interfaced on these high-capacity forklifts. Intuitive operation without any need to shift hands from the steering wheel or control levers or switch feet between pedals means that the operator can concentrate wholly on the essentials: basic for fast, stress-free working.

### Reliability

Proven in heavy sustained operation. Truck structure optimized by the Finite Element Method. Special reinforcing at points of strain contributes to maximum stability and long life.

### Productivity

Effective and costefficient at work. Linde electric forklifts are equipped with the Linde Digital Control (LDC) system, which achieves driving characteristics very similar to hydrostatic-drive trucks. As a result, productivity is enhanced and energy consumption stays low. A fault diagnosis system reduces time and expense for maintenance.

Linde Material Handling

*Linde*

# Technical data

Characteristics	1.1	Manufacturer		LINDE
	1.2	Model designation		<b>E 35</b>
	1.3	Power unit: battery, diesel, petrol, LP gas, mains power		Battery
	1.4	Operation: manual, pedestrian, stand-on, seated, order picker		Seated
	1.5	Load capacity	Q (kg)	3500
	1.6	Load centre	c (mm)	500
	1.8	Axle centre to fork face	x (mm)	520 <sup>3)</sup>
Weights	1.9	Wheelbase	y (mm)	1785
	2.1	Service weight	kg	6240
	2.2	Axle load with load, front/rear	kg	8490/1250
Wheels and tyres	2.3	Axle load without load, front/rear	kg	2990/3250
	3.1	Tyres, front/rear (SE = CS superelastic, L = pneumatic)		SE / SE <sup>4)</sup>
	3.2	Tyre size, front		250-15 <sup>4) 5)</sup>
	3.3	Tyre size, rear		21 x 8-9 <sup>4)</sup>
	3.5	Wheels, number front/rear (x = driven)		2x/2
	3.6	Track width, front	b10 (mm)	1100
	3.7	Track width, rear	b11 (mm)	920
Dimensions	4.1	Mast/fork carriage tilt, forward/backward	$\alpha/\beta$ (°)	6/9 <sup>2)</sup>
	4.2	Height of mast, lowered	h1 (mm)	2382 <sup>1)</sup>
	4.3	Free lift	h2 (mm)	150
	4.4	Lift	h3 (mm)	3250
	4.5	Height of mast, extended	h4 (mm)	3967
	4.7	Height of overhead guard (cabin)	h6 (mm)	2270
	4.8	Height of seat/stand-on platform	h7 (mm)	1155
	4.12	Towing coupling height	h10 (mm)	430
	4.19	Overall length	l1 (mm)	3690 <sup>3)</sup>
	4.20	Length to fork face	l2 (mm)	2690 <sup>3)</sup>
	4.21	Overall width	b1/b2 (mm)	1350 <sup>3)</sup>
	4.22	Fork dimensions	s/e/l (mm)	50 x 120 x 1000
	4.23	Fork carriage to DIN 15173, class/form A, B		3A
	4.24	Width of fork carriage	b3 (mm)	1350
	4.31	Ground clearance, mast	m1 (mm)	148
	4.32	Ground clearance, centre of wheelbase	m2 (mm)	170
	4.33	Aisle width with pallets 1000 x 1200 across forks	Ast (mm)	4075 <sup>3)</sup>
	4.34	Aisle width with pallets 800 x 1200 along forks	Ast (mm)	4275 <sup>3)</sup>
4.35	Turning radius	Wa (mm)	2355	
4.36	Minimum between the centres of rotation distance	b13 (mm)	600	
Performance	5.1	Travel speed, with/without load	km/h	15/17,5
	5.2	Lifting speed, with/without load	m/s	0.35/0.45
	5.3	Lowering speed, with/without load	m/s	0.55/0.50
	5.5	Tractive force, with/without load, 60 minutes rating	N	3620/4300
	5.6	Maximum tractive force, with/without load, 5 minutes rating	N	14400/15000
	5.7	Climbing ability, with/without load, 30 minutes rating	%	3.1/6
	5.8	Maximum climbing ability, with/without load, 30 minutes rating	%	14/24.5
	5.9	Acceleration time, with/without load (first 10 m)	s	5.6/4.8
	5.10	Service brake		hydraulic/electric
	Drive	6.1	Drive motor, 60 minutes rating	kW
6.2		Lift motor, 15 % rating	kW	15
6.3		Battery according IEC		254-2
6.4		Battery voltage/rated capacity (5 h)	V/Ah	80/560
6.5		Battery weight ( $\pm 5$ %)	kg	1558
6.6		Power consumption in acc. with VDI cycle	kW/h	-
Other	8.1	Type of drive control		electronic/stepless
	8.2	Working pressure for attachments	bar	200
	8.3	Oil quantity for attachments	l/min	50 <sup>6)</sup>
	8.4	Mean noise level at driver's ear	dB (A)	71
	8.5	Towing coupling, design/type DIN, no		no

1) With 150 mm free lift on standard mast (h1 reduced by 45 mm on duplex mast)

2) Figures are for standard and duplex masts. Triplex mast = 6°/8° (E 35/E 40), 6°/5° (E 48)

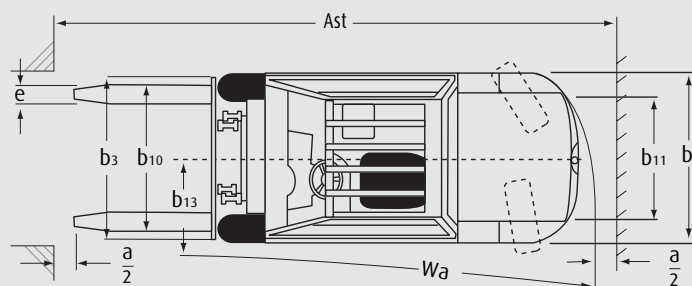
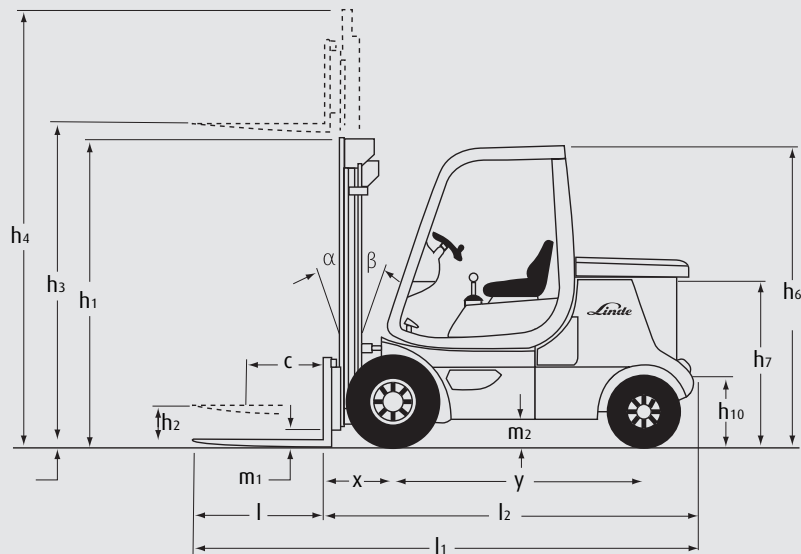
3) Fitment of triplex mast increases l1, l2, x and Ast by 30 mm

4) Pneumatic tyres are available: 250-15, 16 ply/21x8-9, 10 ply

5) Twin mounted front wheels available as option. Dimensions s

6) Figures are for standard and duplex masts. Triplex mast = 45

LINDE	LINDE
<b>E 40</b>	<b>E 48</b>
Battery	Battery
Seated	Seated
4000	4800
500	500
520 <sup>3)</sup>	530 <sup>3)</sup>
1930	2220
6870	6980
9440/1430	10510/1270
3190/3680	3410/3570
SE/SE <sup>4)</sup>	SE/SE
250-15 <sup>4)5)</sup>	250-15 <sup>5)</sup>
21 x 8-9 <sup>4)</sup>	21 x 8-9
2x/2	2x/2
1100	1100
920	920
6/9 <sup>2)</sup>	6/9 <sup>2)</sup>
2382 <sup>1)</sup>	2375 <sup>1)</sup>
150	150
3250	3150
3967	4017
2270	2270
1155	1155
430	430
3835 <sup>3)</sup>	4135 <sup>3)</sup>
2835 <sup>3)</sup>	3135 <sup>3)</sup>
1350 <sup>5)</sup>	1350 <sup>5)</sup>
50 x 120 x 1000	60 x 130 x 1000
3A	3A
1350	1350
148	148
170	170
4240 <sup>3)</sup>	4550 <sup>3)</sup>
4440 <sup>3)</sup>	4750 <sup>3)</sup>
2520	2820
700	785
14/16	13/15
0.32/0.45	0.29/0.45
0.55/0.50	0.55/0.50
3400/4180	3300/3980
14200/14840	13980/14780
2.5/5.2	2.2/5.1
12.5/22.5	11.2/20
5.7/4.9	5.8/5.2
hydraulic/electric	hydraulic/electric
12.5	12.5
15	15
254-2	254-2
80/700	80/770
1863	1971
-	-
electronic/stepless	electronic/stepless
200	200
50 <sup>6)</sup>	50 <sup>6)</sup>
71	71
no	no

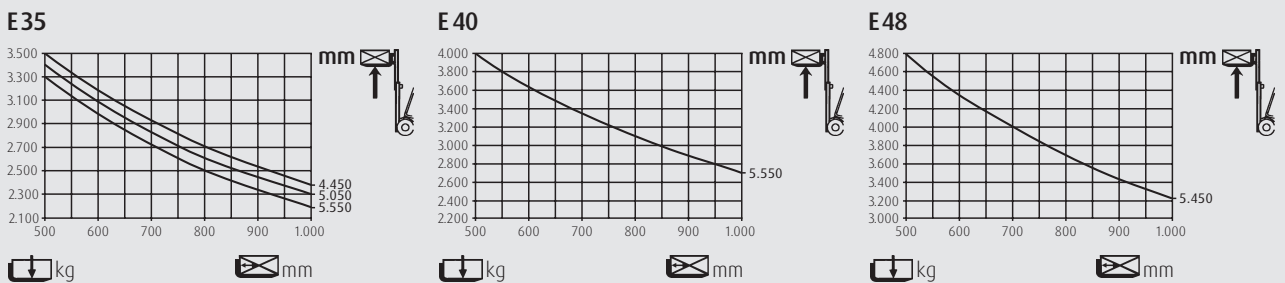


ly  
as standard wheels (b1 = 1850 mm)  
l/min

Safety distance a = 200 mm



### Lifting capacity diagrams



Mast unit variations (in mm)		Standard and duplex clearview mast					Triplex clearview mast				
<b>E35/E40</b>											
Lift	<b>h3</b>	3250	3750	4050	4450	5050	5550	4675	5425	5875	6475
Lift height	<b>h3+s</b>	3300	3800	4100	4500	5100	5600	4725	5475	5925	6525
Free lift	<b>h2</b>	150	150	150	150	150	150	-	-	-	-
Full free lift (duplex/triplex)		1620	1870	2020	-	-	-	1620	1870	2020	2220
Height of mast, lowered <sup>1)</sup>	<b>h1</b>	2382	2632	2782	2982	3282	3532	2337	2587	2737	2937
Height of mast, extended	<b>h4</b>	3967	4467	4767	5167	5767	6267	5392	6142	6592	7192

Mast unit variations (in mm)		Standard and duplex clearview mast					Triplex clearview mast				
<b>E48</b>											
Lift	<b>h3</b>	3150	3350	3950	4350	4950	-	4525	4825	5725	6325
Lift height	<b>h3+s</b>	3210	3410	4010	4410	5010	-	4585	4885	5785	6385
Free lift	<b>h2</b>	150	150	150	150	150	-	-	-	-	-
Full free lift (duplex/triplex)		1470	1570	1870	-	-	-	1470	1570	1870	2070
Height of mast, lowered <sup>1)</sup>	<b>h1</b>	2375	2430	2775	2975	3275	-	2330	2430	2730	2930
Height of mast, extended	<b>h4</b>	4017	4217	4817	5217	5817	-	5392	5692	6592	7192

# Standard and optional equipment

## Standard equipment

### Truck

Linde Digital Control for optimum drivability  
Superelastic tyres, front 250-15, rear 21 x 8-9  
Standard mast lift height 3250 mm (E 35/E 40), 3150 mm (E 48)  
Fork carriage width 1350 mm  
Fork length 1000 mm  
Multifunction instrument, indicators for:  
→ Battery charge state  
→ Operating hours  
→ Carbon brush wear  
→ Brake fluid level, brake lining wear  
Lift cutout at 80 % battery discharge  
Linde twin drive pedals  
Central control level for all mast functions  
Comfort-class suspension seat, adjustable cushioning

### Batteries

E 35–80 V, 560–600 Ah  
E 40–80 V, 700–750 Ah  
E 48–80 V, 770–840 Ah

### Motor

→ High-output traction motor, 12.5 kW  
→ High productivity  
→ Wide range of application  
→ 15 kW hydraulic unit

### Elektronics

Economical use of energy through Linde Digital Control  
Extended battery run time through regenerative braking

## Options

Pneumatic tyres for E 35/E 40  
Twin tyres  
Standard masts, lift height to 5550 mm  
Duplex masts, full free lift, lift height to 4450 mm  
Triplex masts, full free lift, lift height to 6775 mm  
Fork carriage width 1750 mm or 2000 mm  
Fork length to 2000 mm  
Fork extensions  
Load backrest  
Weatherproof cab, several versions  
Fabric-covered seat

Cab heater  
Rear-view mirror  
One or two auxiliary hydraulic circuits  
Flasher beacon lamp  
Truck lighting  
Worklamps  
Audible reversing alarm  
Custom paintwork

Other options available on request.

# Features

## Linde hydrostatic steering

- No kickback and virtually no play
- Ergonomic size of steering wheel
- Controlled steer pump motor uses little energy
- Unsurpassed maneuverability in this truck size category, including tight cornering

## Linde twin drive pedals

- Quick change of forward/reverse direction without changing feet on pedals
- Short pedal stroke
- Increased productivity
- Fatigue-free working

## Linde Digital Control

- Reliable electronics/electrics systems
- Ready matching to individual requirements
- High dependability resulting from redundant monitoring systems
- Modern CAN bus architecture
- Controller casing totally enclosed for protection from dust and dirt

## Linde central control lever

- Accurate, safe load handling
- Motor speed automatically optimized on lift, lower and tilt motions

## High-economy motor technology

- Powerful 12.5 kW traction motor
- High torque
- Excellent gradability
- Superb tractive power
- Low noise emissions



## Linde operator compartment

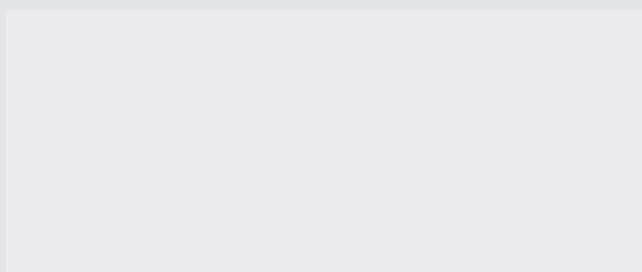
- Ergonomic design for efficient, fatigue-free working
- Central control lever for all main functions: lift, lower, tilt
- Excellent visibility of load and surroundings due to slim-line mast sections
- Seat adjustable fore-aft and to operator's body size and weight

## Battery change

- Battery changed in next to no time, easily lifted out of counterweight using hoist or lift truck
- High-capacity 80 V batteries, 580-840 Ah

## Linde clear-view mast

- Superb visibility through slim-profile sections of mast
- Full load capacity up to maximum lift height
- Exceptional residual capacity
- High level of safety



Linde AG

Linde Material Handling Division, Postfach 10 01 36, 63701 Aschaffenburg, Germany  
Phone +49.60 21.99-0, Fax +49.60 21.99-15 70, [www.linde-forklifts.com](http://www.linde-forklifts.com), [info@linde-forklifts.com](mailto:info@linde-forklifts.com)

Linde Material Handling

Subject to modification in the interests of engineering progress. Illustrations and technical details non-binding for actual construction. All measurements subject to customary tolerances.

Printed in Germany · 068 · e · 1.5 · 1205 · Ind. B · Co